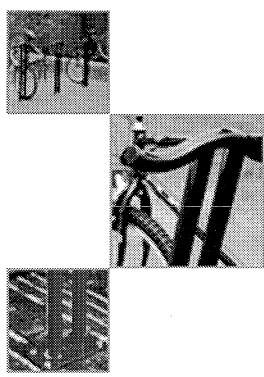


 PRINTABLE VERSION

- Product Page
- Brochure
- Materials
- Photo Library
- SketchUp Library
- CAD Drawings
- CSI Specs
- Assembly
- Installations



Accessories << 4 of 9 >>

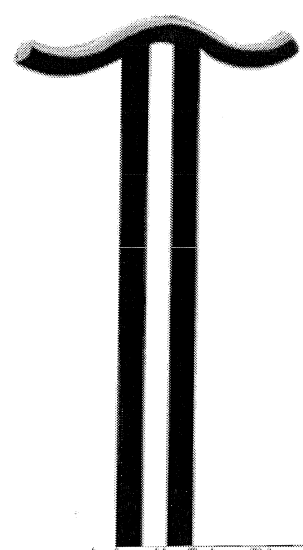
# pi™ bike rack

## features

- > distinctive styling provides a safe harbor for all bike styles
- > each rack holds two bikes
- > accepts horseshoe style lock
- > complementary products
- > more details

- powdercoated metal
- surface mount
- embedded
- variety of colors — **BRONZE**

**\$400<sup>00</sup> EA**



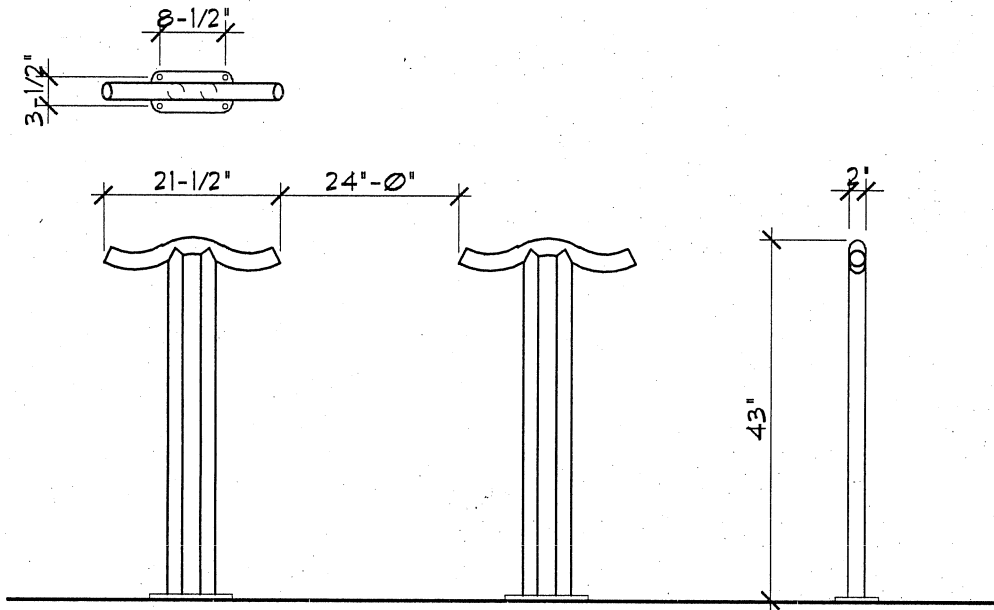
designed by Robert Chipman  
U.S. Patent No. D374840

**More Details :** [Sustainability and LEED](#) [Dimensions](#) [To Specify](#) [Complementary Products](#)

- Supports bike frame to allow quick-release front tires to be removed and secured
- Bikes may also be suspended or leaned
- Accepts horseshoe style locks
- Each rack holds two bikes
- May be installed in a series, 36in. on center allowing pedestrian traffic between racks
- Surface mount or embedded
- Metal parts finished with Panguard II® powdercoat available in standard colors
- Optional powdercoat colors available for an upcharge
- Coordinates with many Landscape Forms products

### Sustainability and LEED

- Landscape Forms Panguard II (R) Powdercoat finish contains no heavy metals, is HAPS-free



MANUFACTURER:

MODEL:

COLOR:

LANDSCAPE FORMS

PI RACK - 21-1/2" W  
X 43" H - SURFACE  
MOUNT

SILVER POWDER COAT  
BY MANUFACTURER

431 LAUNDALE AVE.  
KALAMAZOO, MI 49049

2

16

## BIKE RACK

SCALE: 1/2" = 1'-0"

060-SD94