

# EXHIBIT "C"

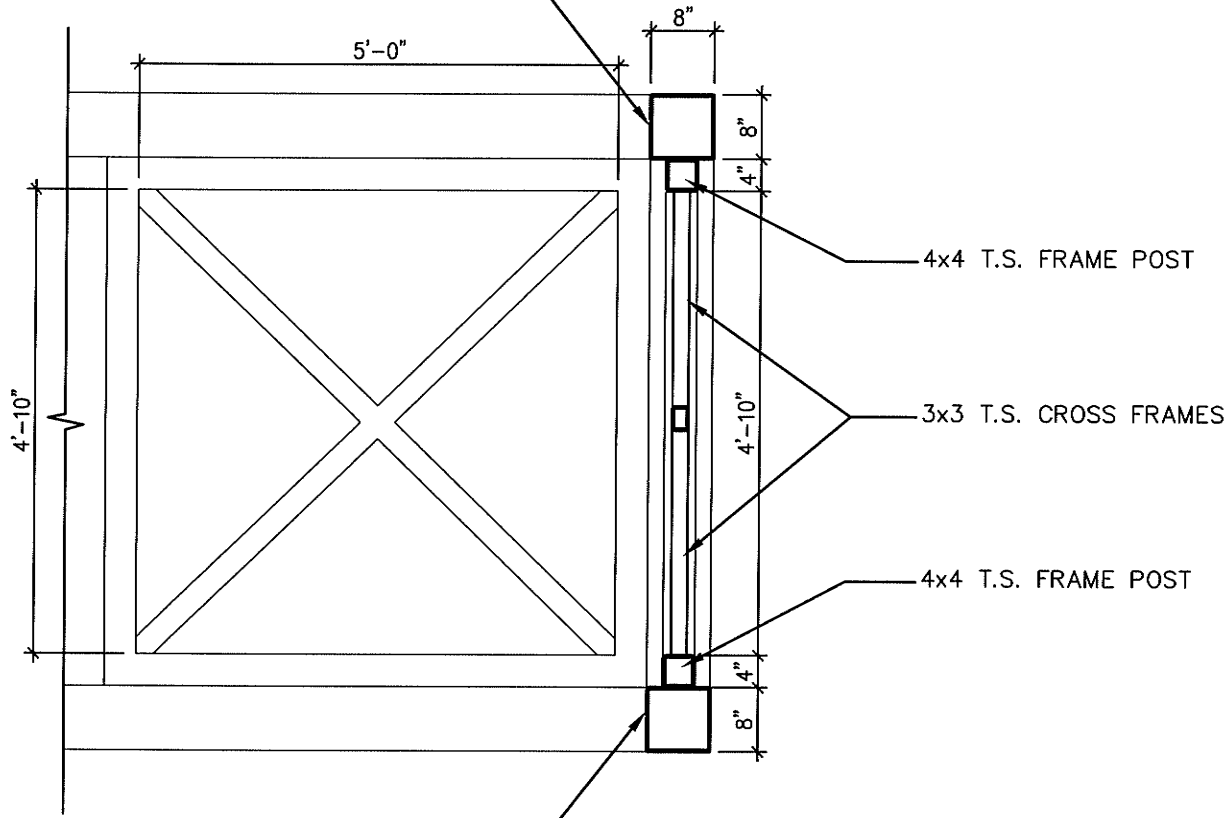
## TYPICAL TRELLIS & PARAPET DETAILS

SEE DRAWINGS ATTACHED

1. SECTION AT TOWER TRELLIS
2. DETAIL AT STEEL ACCENT – SECTION
3. DETAIL @ BRACKET
4. DETAIL @ BRACKET
5. TURNBUCKLE DETAIL
6. CANOPY COLUMN BASE
7. DETAIL AT STEEL ACCENT
8. DETAIL AT CORNICE
9. DETAIL AT TYPICAL PARAPET



8"x8" TUBE STEEL BEAM - SEE  
STRUCTURAL DRAWINGS

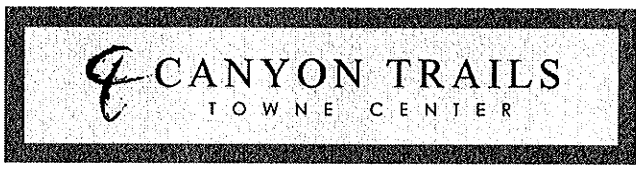


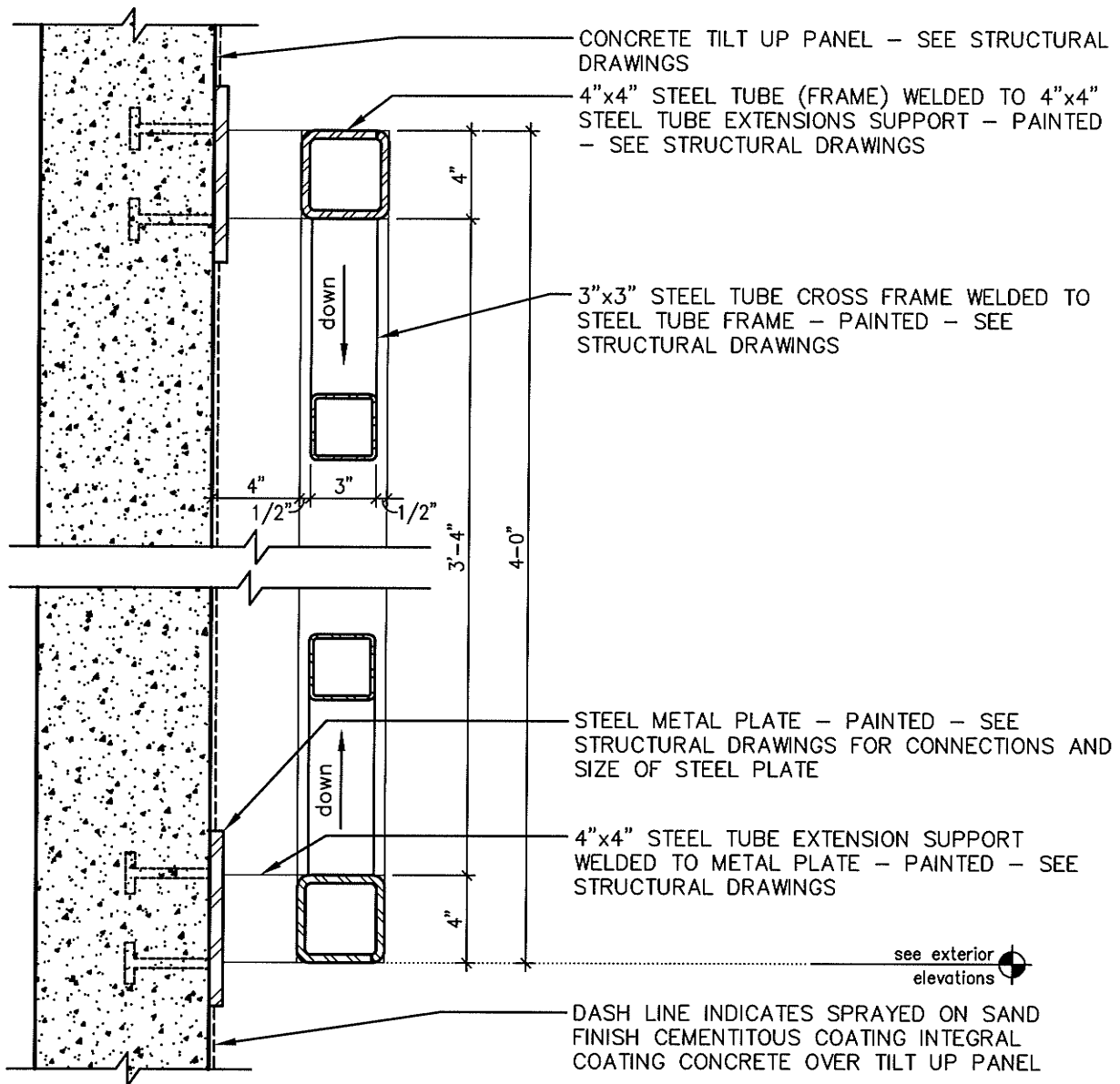
8"x8" TUBE STEEL BEAM - SEE  
STRUCTURAL DRAWINGS

01

**SECTION at TOWER TRELLIS**

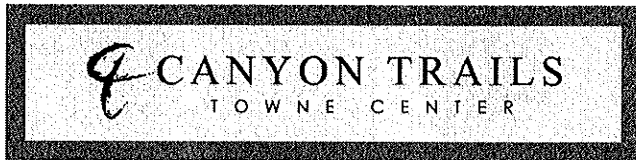
SCALE: NONE

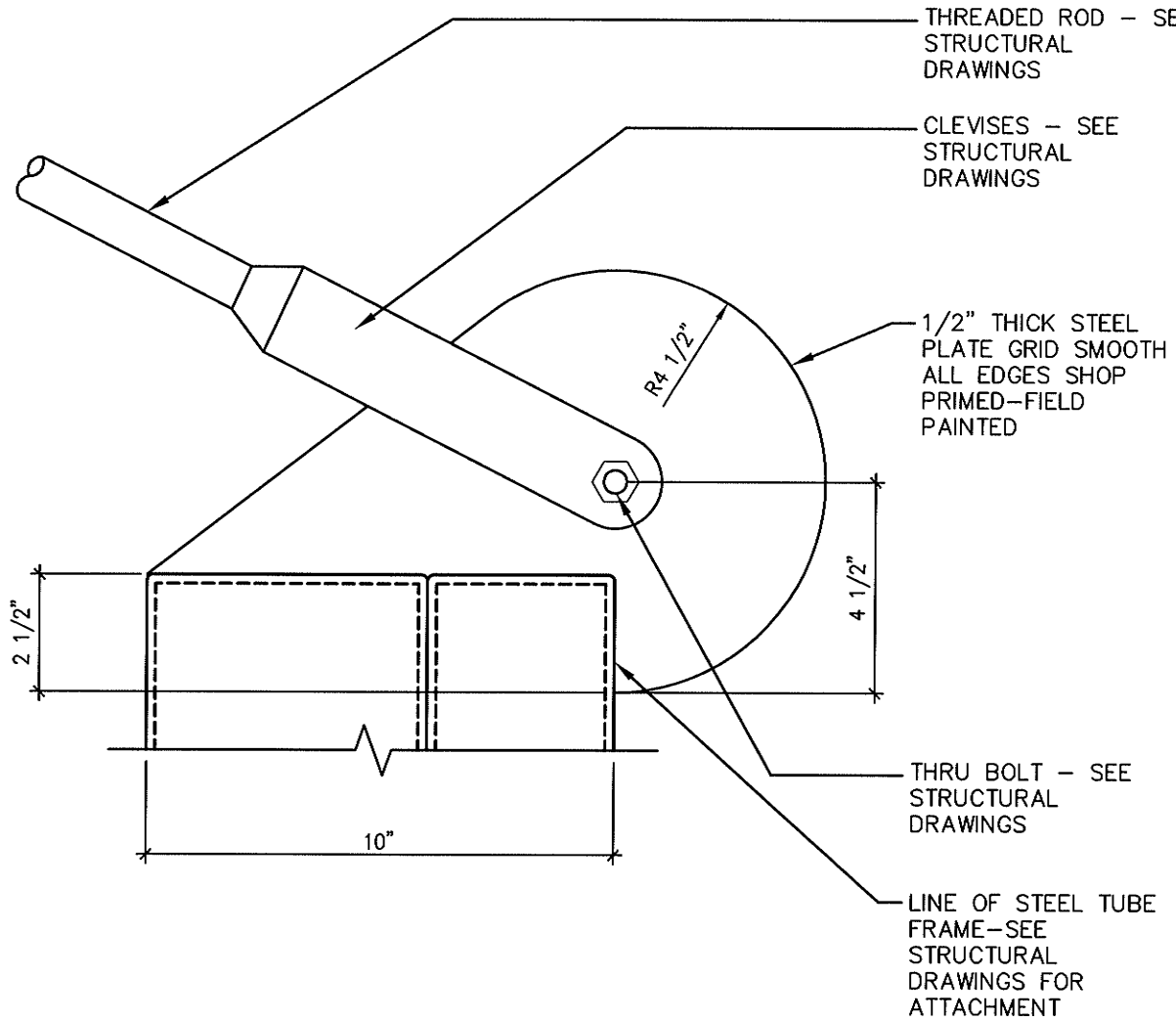




**02** DETAIL AT STEEL ACCENT - SECTION

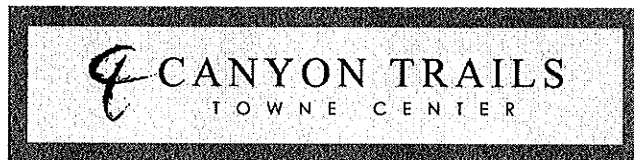
SCALE: NONE

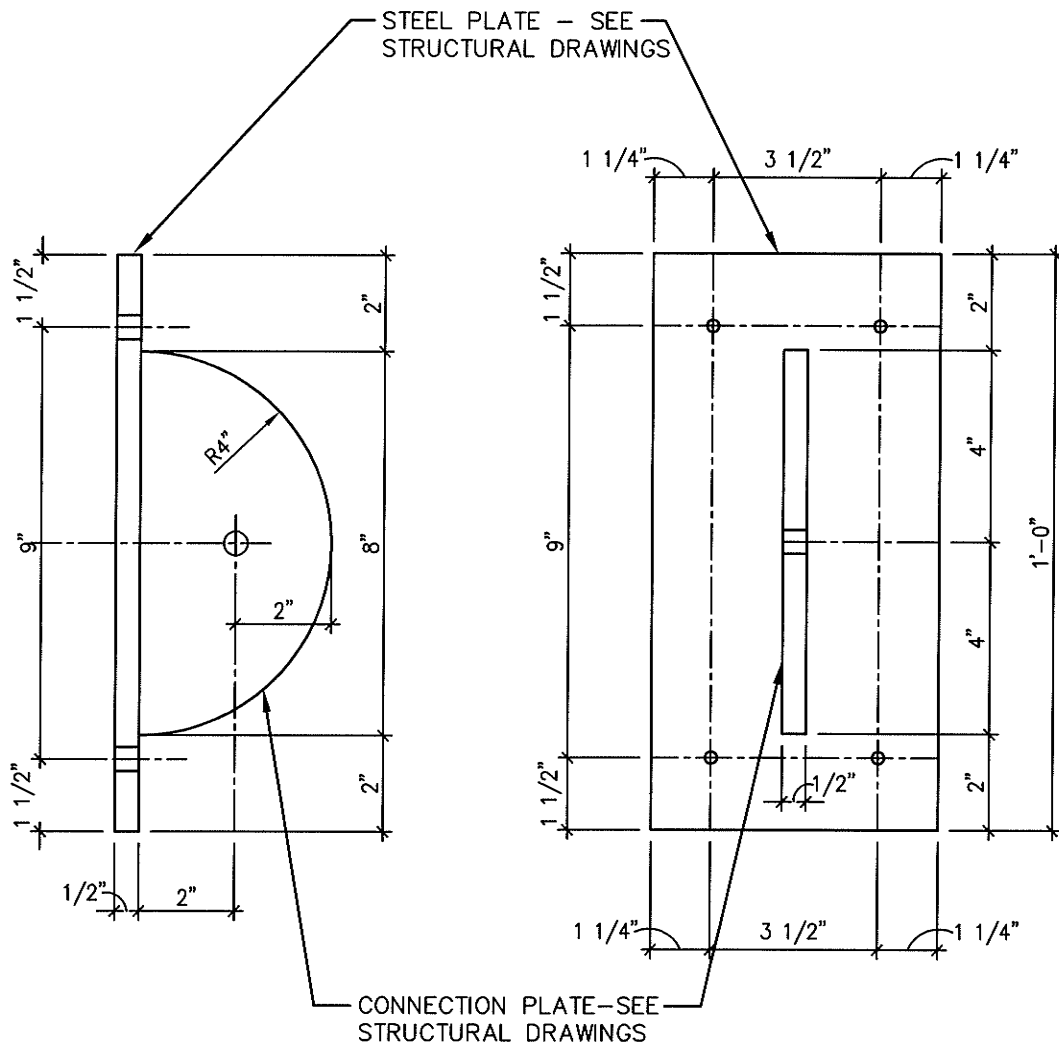




**03** DETAIL at BRACKET

SCALE: NONE

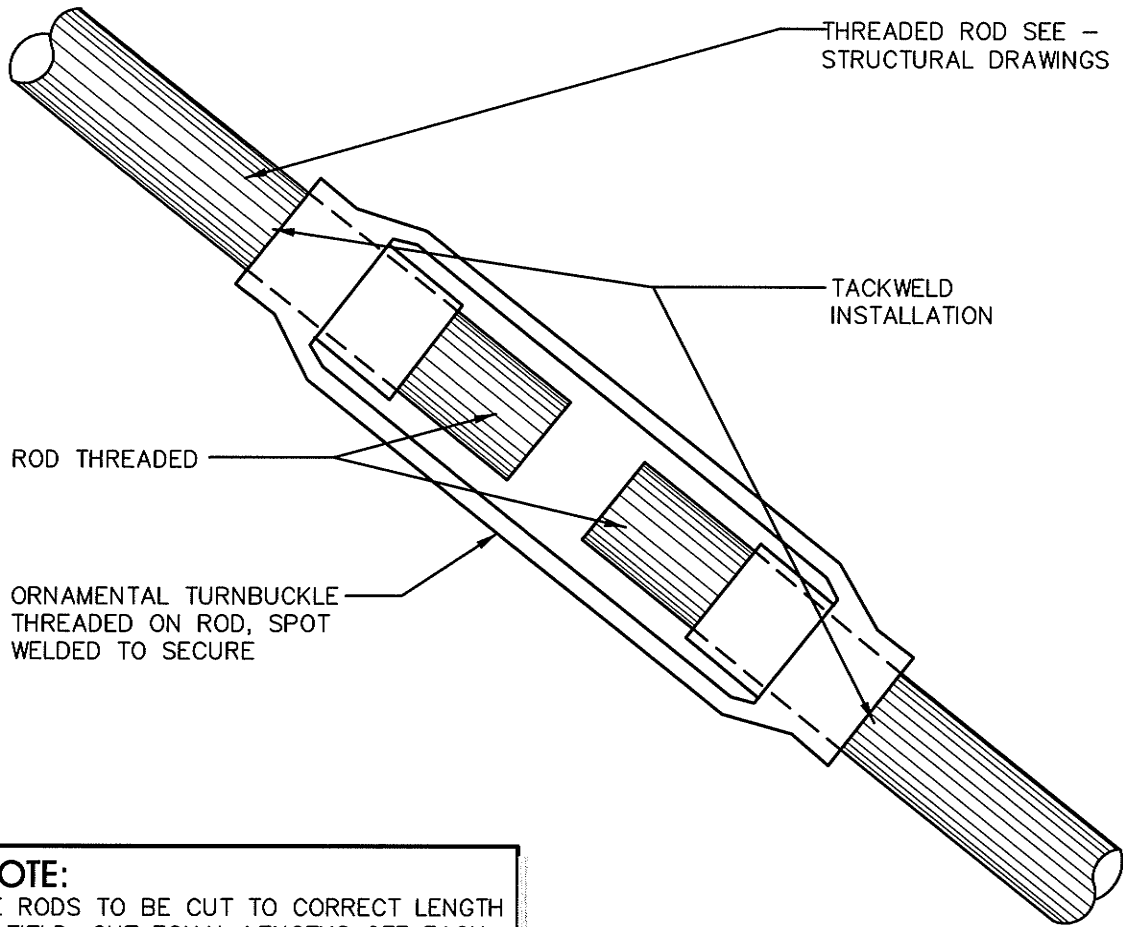




# 04 DETAIL at BRACKET

SCALE: NONE





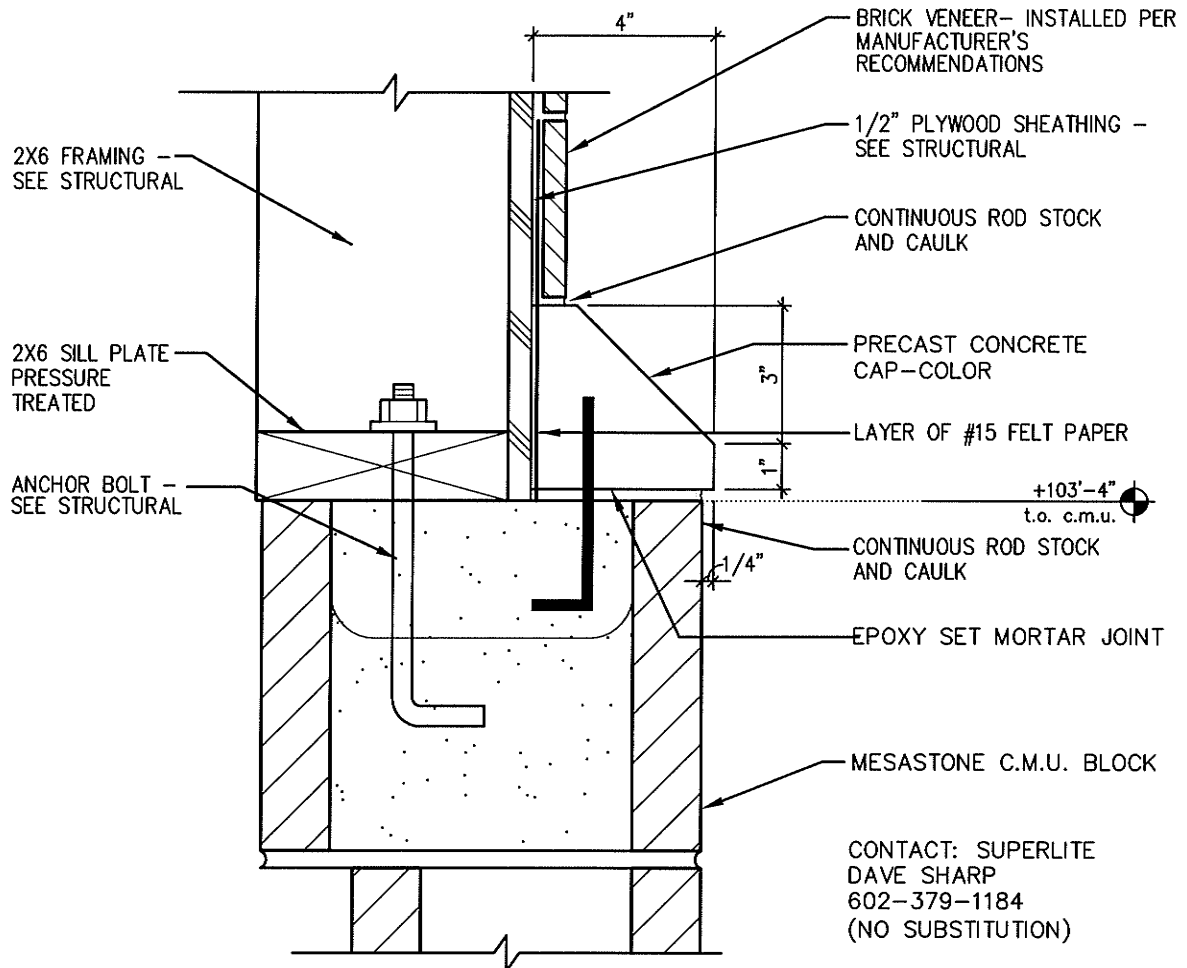
**NOTE:**

TIE RODS TO BE CUT TO CORRECT LENGTH  
IN FIELD. CUT EQUAL LENGTHS OFF EACH  
END SO TURNBUCKLE REMAINS IN CENTER  
WHEN INSTALLED, TURNBUCKLES SHOULD  
FACE SAME DIRECTION ON ALL TIE RODS.

**05** TURNBUCKLE

SCALE: NONE

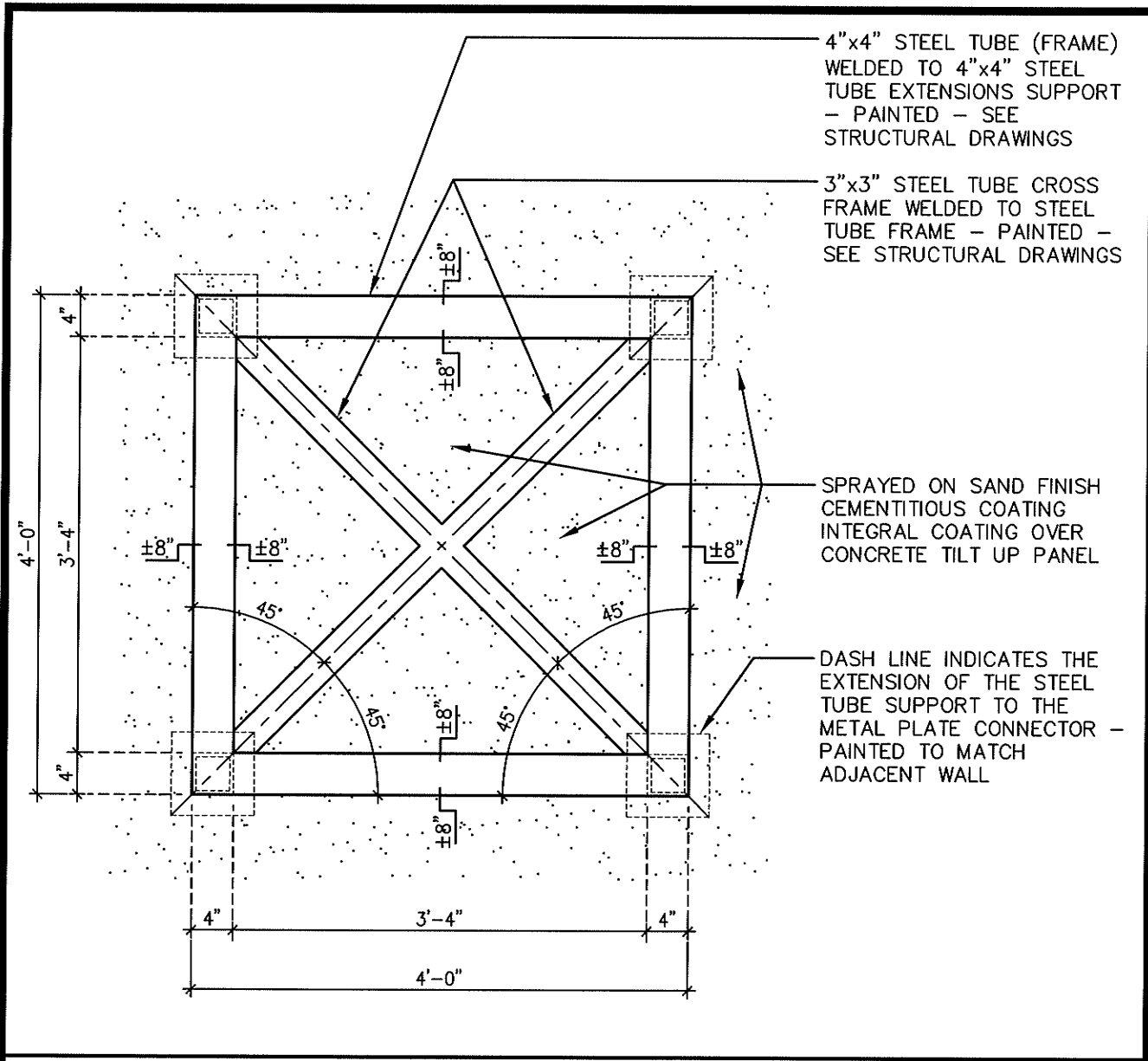




# 06 CANOPY COLUMN BASE

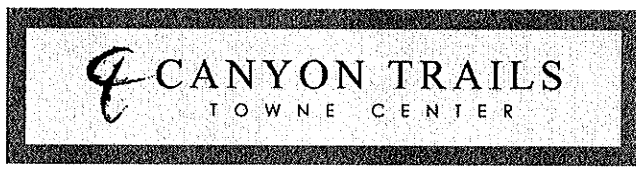
SCALE: NONE

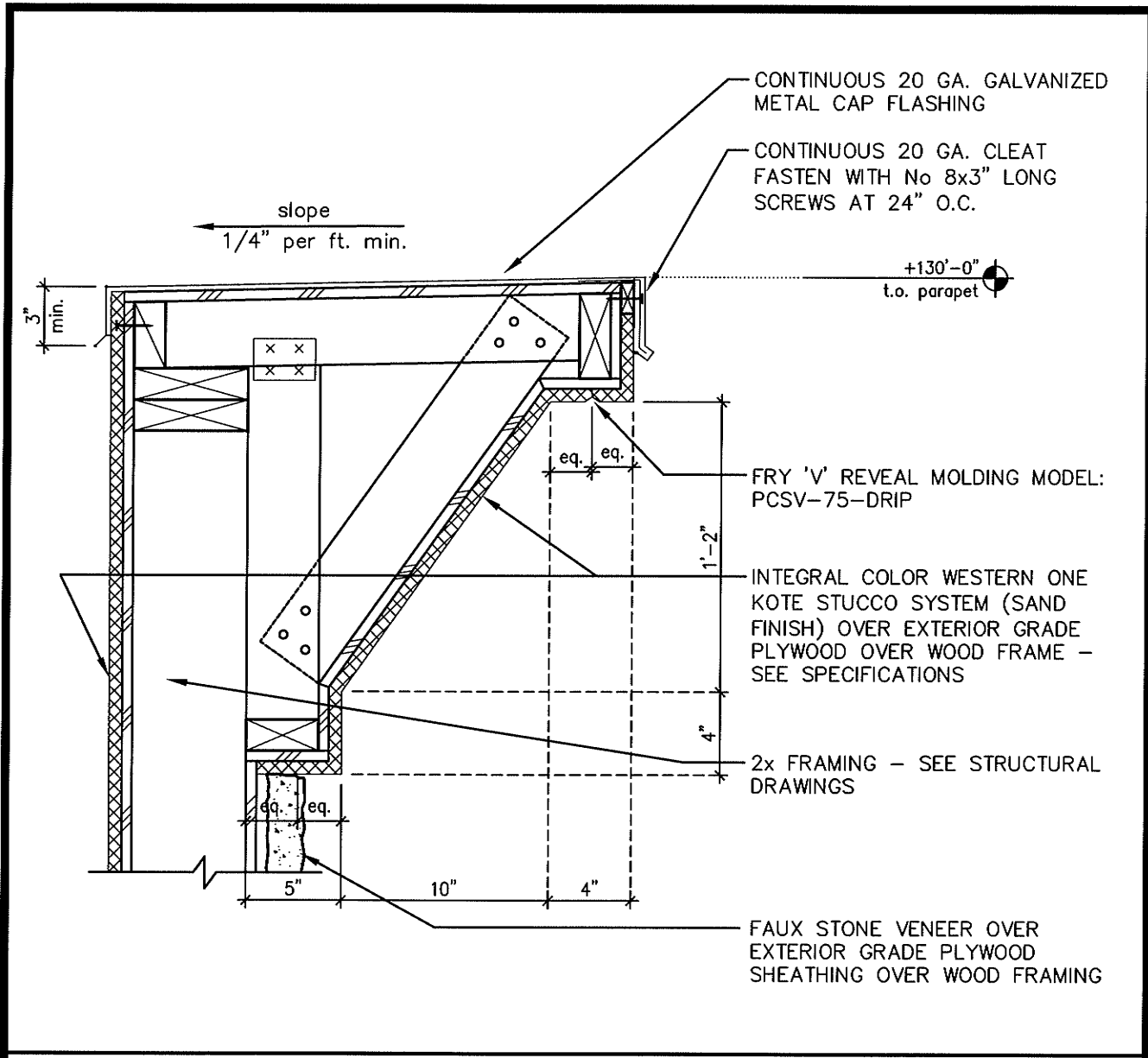




**07** DETAIL at STEEL ACCENT

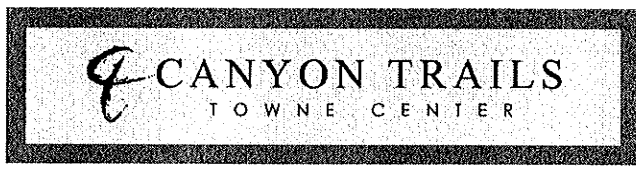
SCALE: NONE

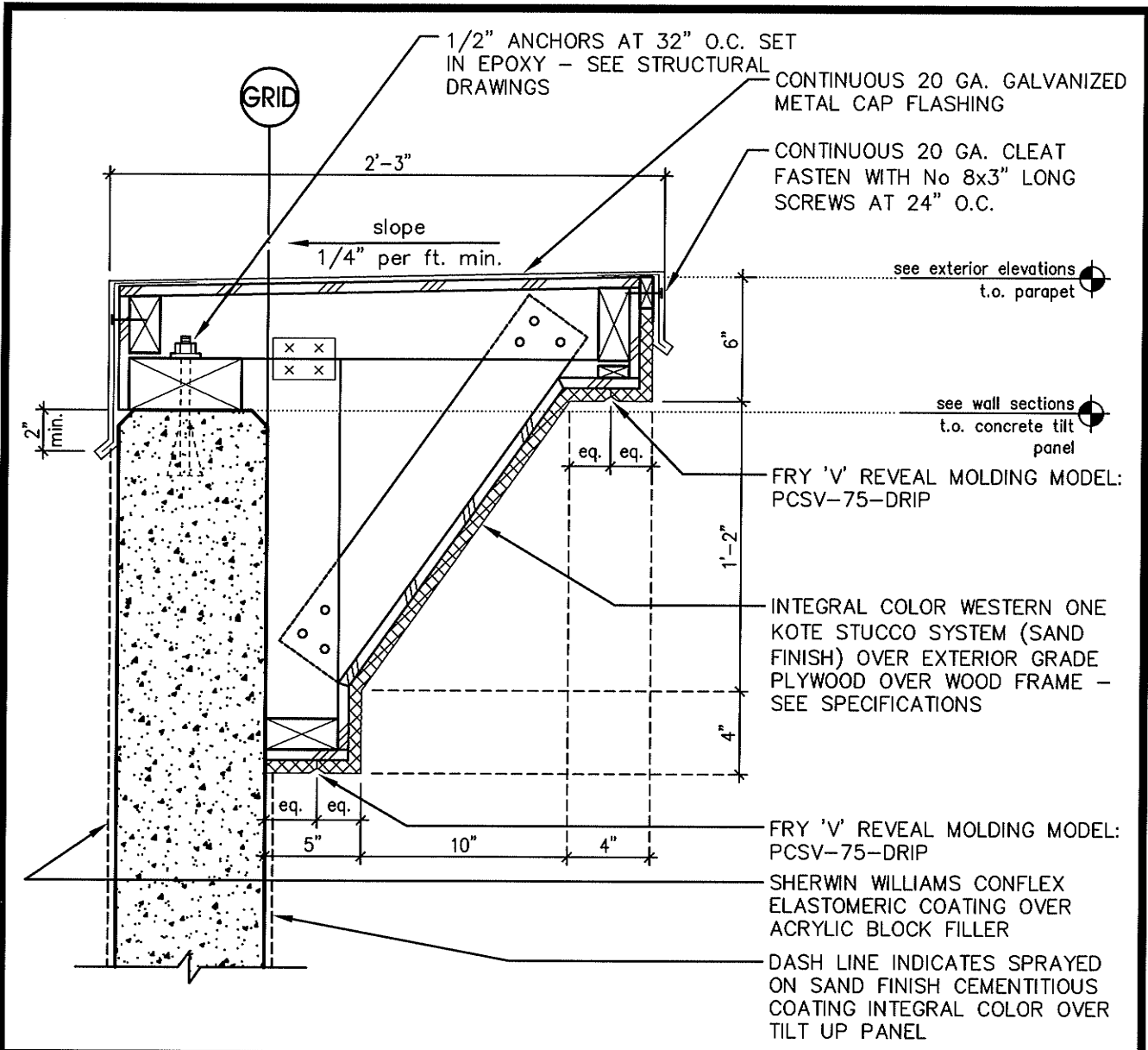




**08** DETAIL at CORNICE

SCALE: NONE





**09** DETAIL at TYPICAL PARAPET

SCALE: NONE

